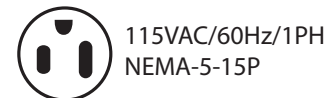
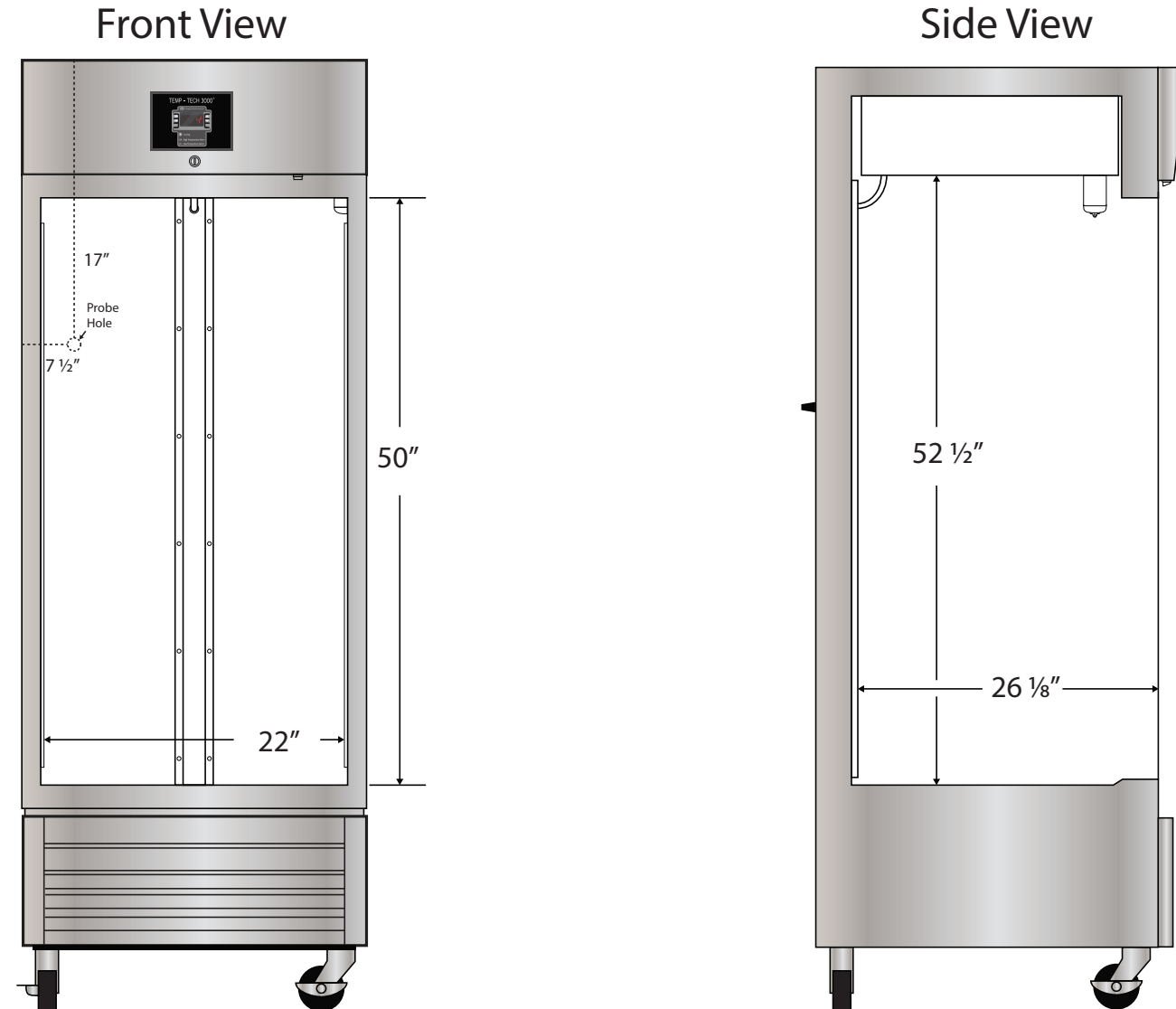


CUTSHEET



Cu. Ft	Defrost	Door	Int Door	Shelves	Interior Dim.			Refrigerant	H.P.	Amps	Weight
					W"	D"	H"				
23	Cycle	2 Solid	0	3 Adj	22	26 1/8	52 1/2	R290	1/5	3	255 lbs.

Note: Interior dimensions are estimates and subject to change without notice