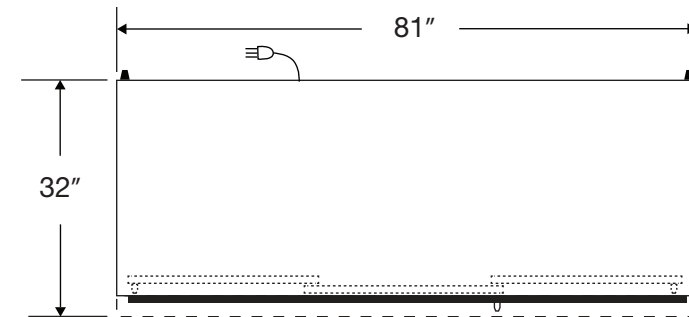
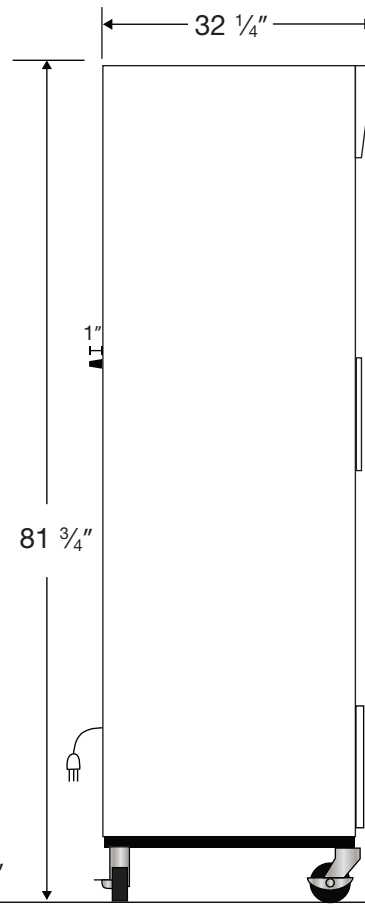
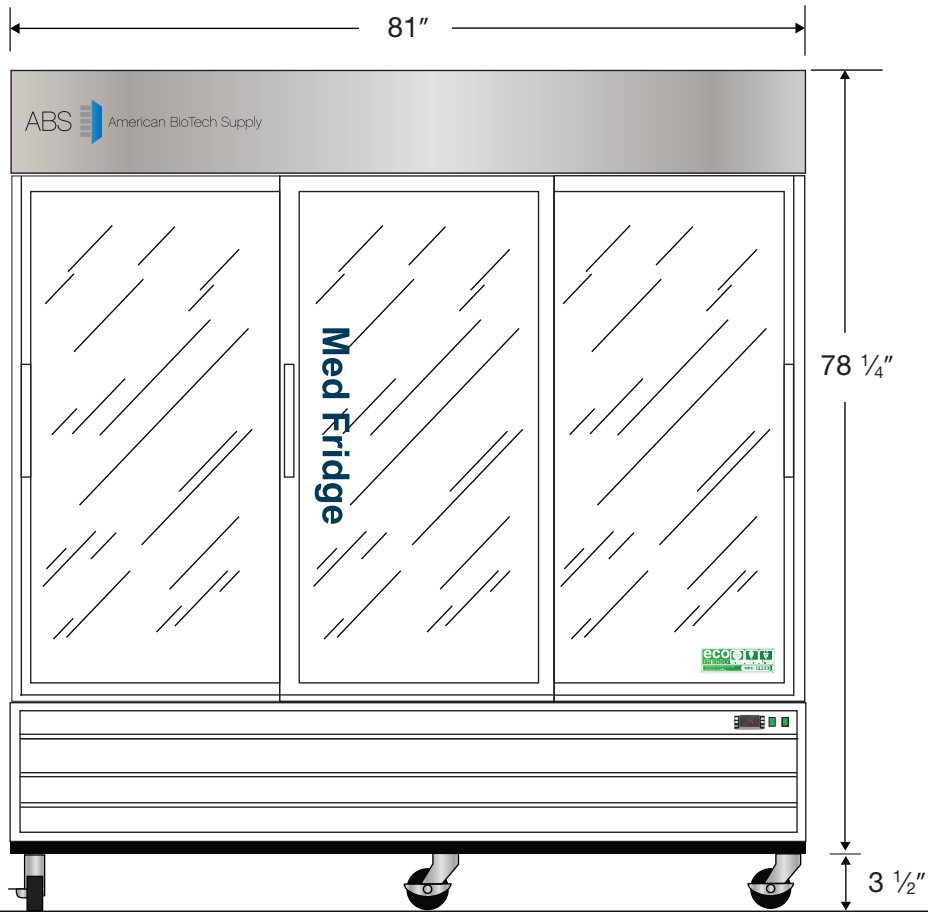


CUTSHEET

Front View

Side View

Top View



115VAC/60Hz/1PH
NEMA-5-15P

| Cu. Ft | Defrost | Door | Int Door | Shelves | W" | D" | H" | Refrigerant | H.P. | Amps | Weight |
|--------|---------|-------------------|----------|---------|----|--------|--------|-------------|------|------|----------|
| 69 | Cycle | 3 Glass (Sliding) | 0 | 12 Adj. | 81 | 33 1/4 | 81 3/4 | R290 | 1/2 | 7.5 | 688 lbs. |