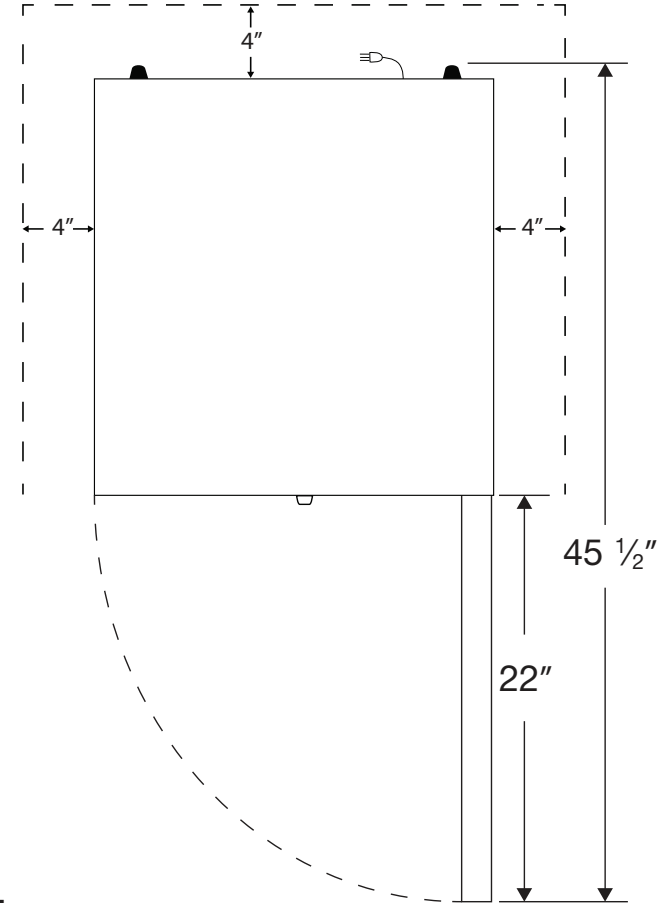
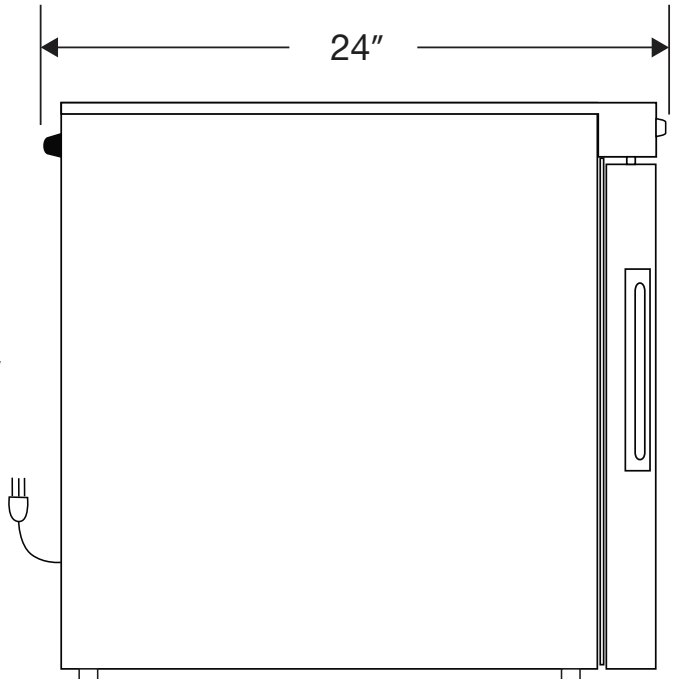
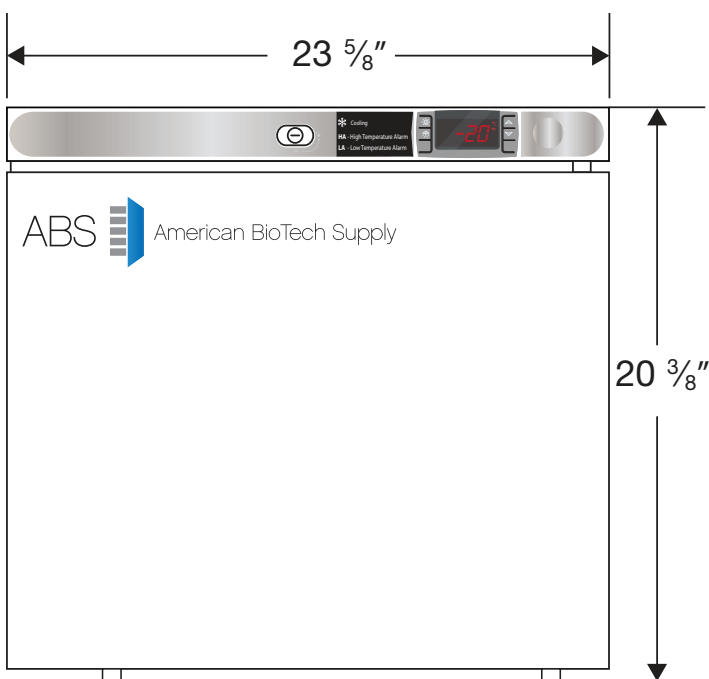


CUTSHEET


Front View

Side View

Top View



NOTE: Ventilation Requirements – Minimum 4" clearance on sides and back

 115VAC/60Hz/1PH
NEMA-5-15P

Cu. Ft	Defrost	Door	Int Door	Shelves	W"	D"	H"	Refrigerant	H.P.	Amps	Weight
1.7	Manual	1 Solid	0	2 Adj +Footed Bottom	$23 \frac{5}{8}$	24	$20 \frac{3}{8}$	R600a	$\frac{1}{8}$	1	80 lbs.