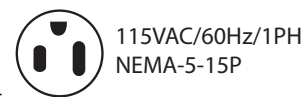
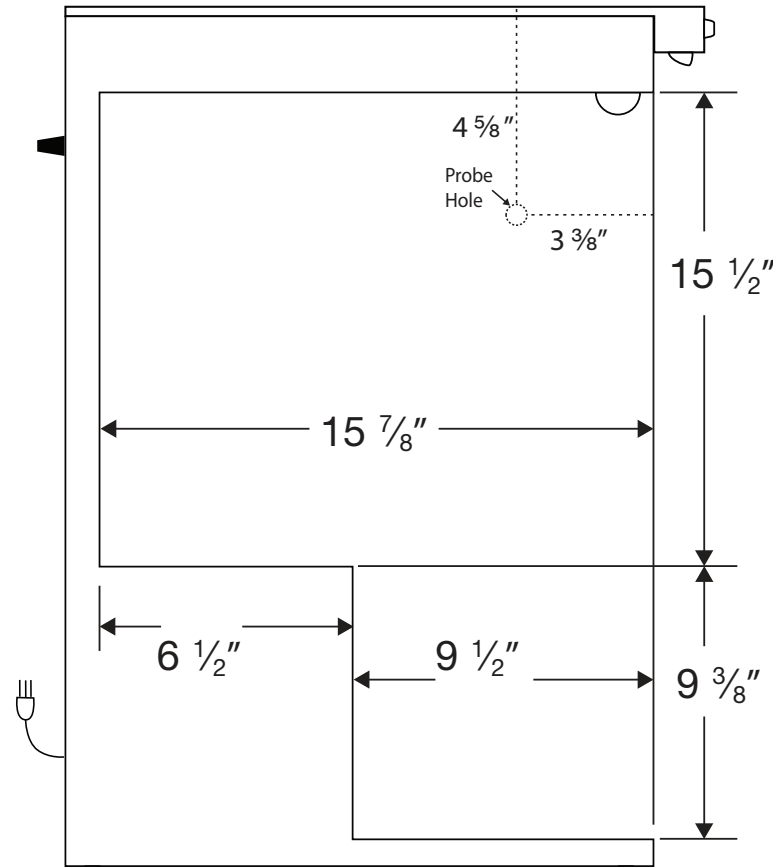
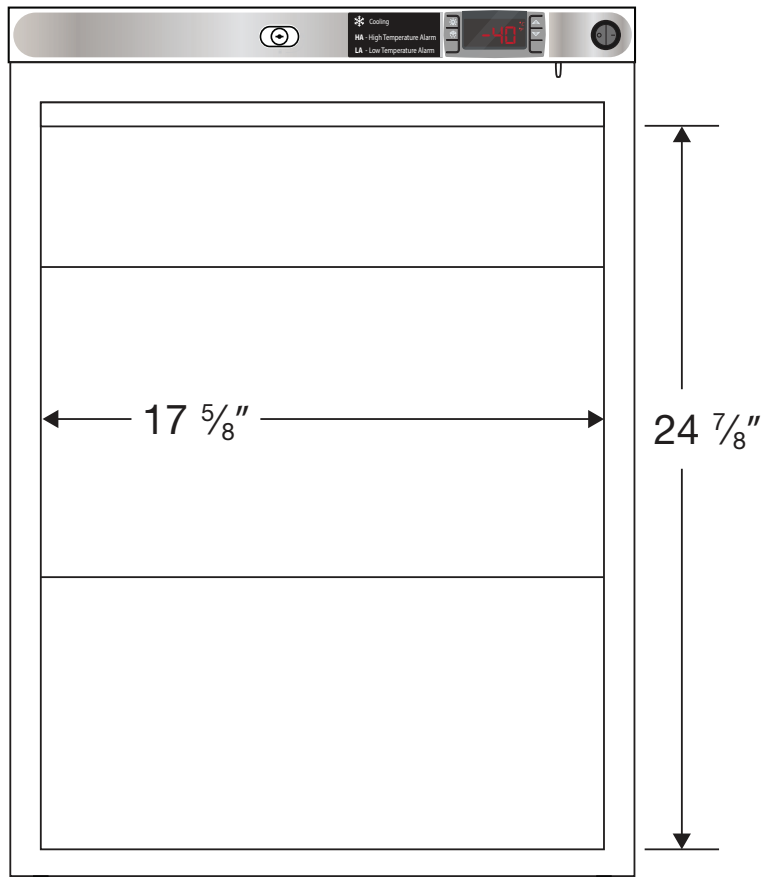


CUTSHEET

Front View

Side View



115VAC/60Hz/1PH  
NEMA-5-15P

Cu. Ft	Defrost	Door	Int Door	Shelves	Interior Dim.			Refrigerant	H.P.	Amps	Weight
					W"	D"	H"				
4	Manual	1 Solid	0	3 Adj. +Footed Bottom	17 5/8	15 7/8	24 7/8	R290	1/4	2.2	93 lbs.

Note: Interior dimensions are estimates and subject to change without notice