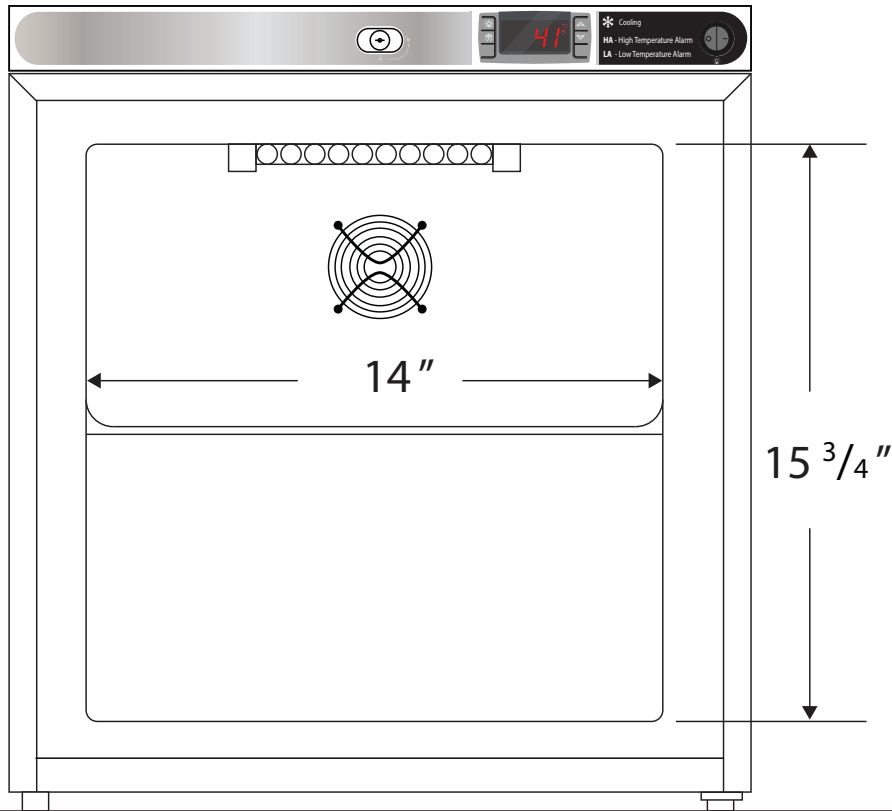
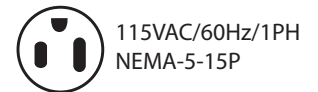
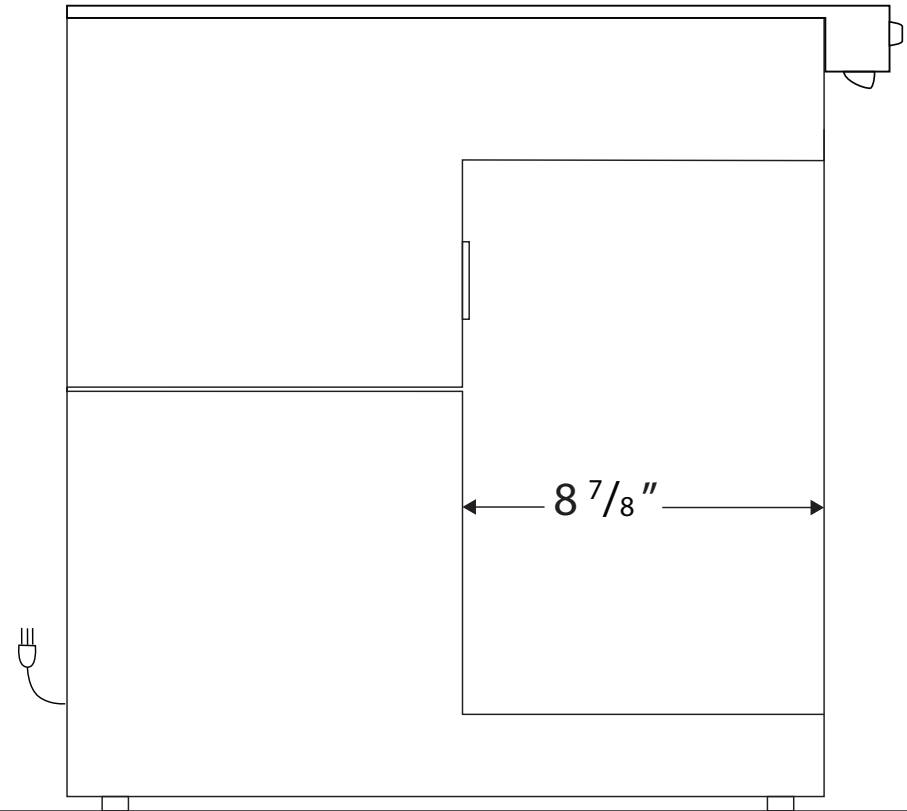


CUTSHEET

Front View



Side View



| Cu. Ft | Defrost | Door | Int Door | Shelves | Interior Dim. | | | Refrigerant | H.P. | Amps | Weight |
|--------|---------|---------|----------|---------|---------------|-------|--------|-------------|------|------|---------|
| | | | | | W" | D" | H" | | | | |
| 1 | Cycle | 1 Solid | 0 | 2 Adj | 14 | 8 7/8 | 15 3/4 | R600a | 1/8 | .90 | 63 lbs. |

Note: Interior dimensions are estimates and subject to change without notice