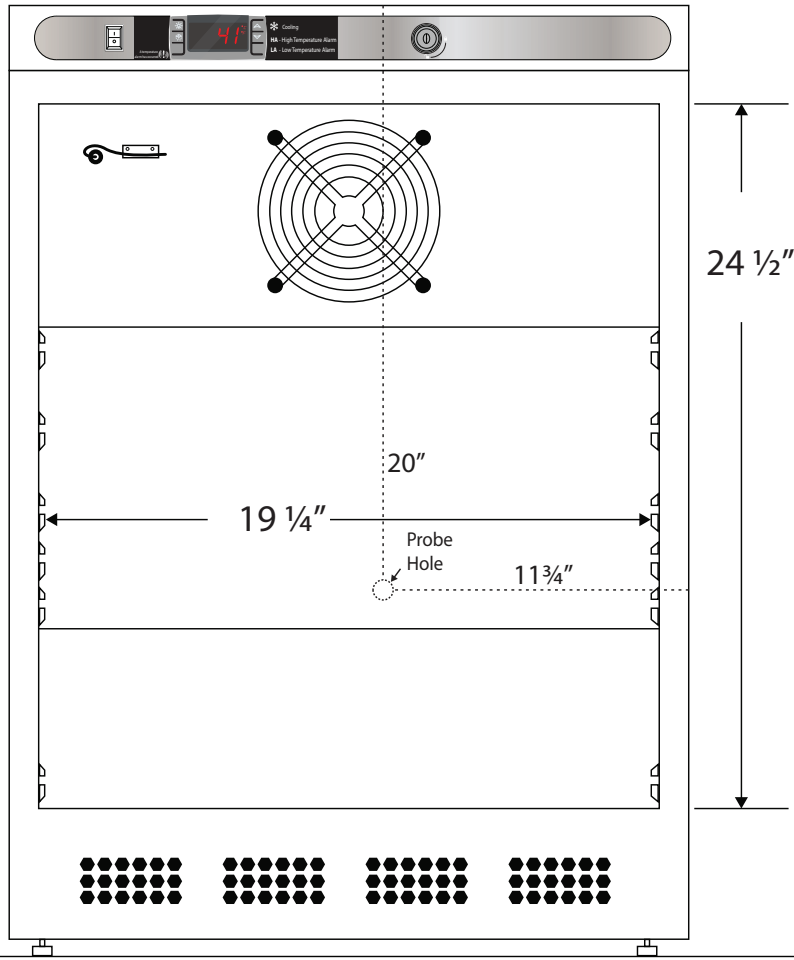
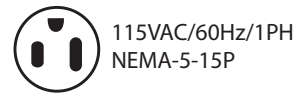
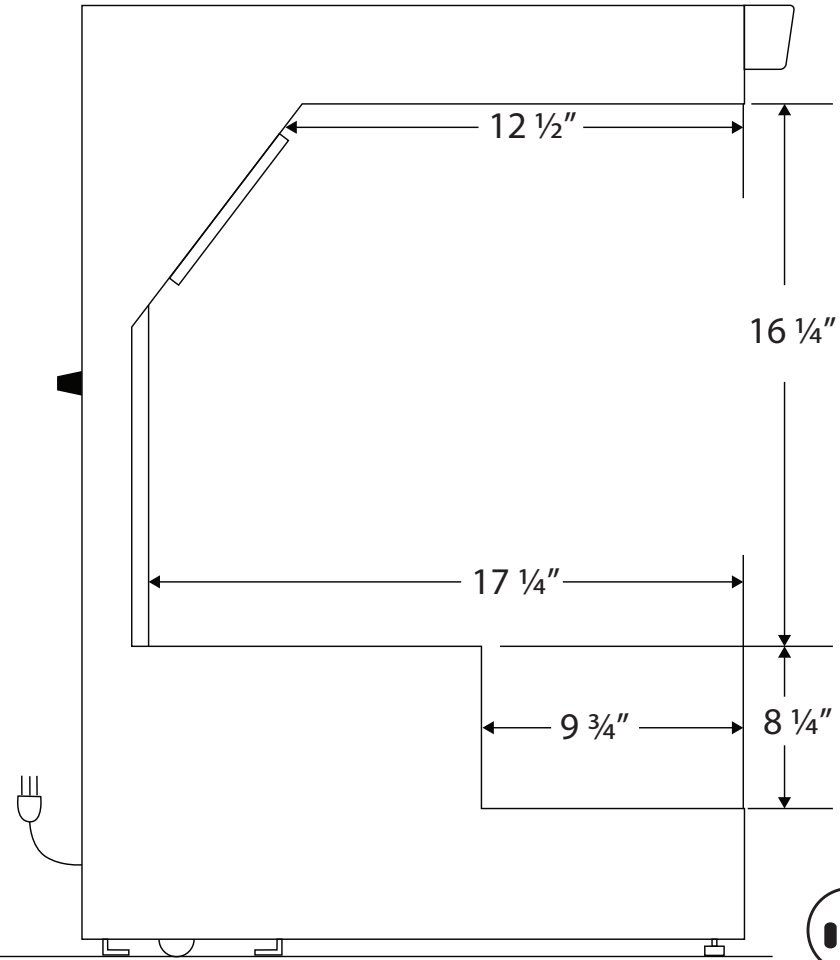


CUTSHEET

Front View



Side View



| Cu. Ft | Defrost | Door | Int Door | Shelves | Interior Dim. | | | Refrigerant | H.P. | Amps | Weight |
|--------|---------|------------|----------|---------------|---------------|--------|--------|-------------|------|------|---------|
| | | | | | W" | D" | H" | | | | |
| 4.6 | Cycle | 1 Glass LH | 0 | 2 Adj/1 Fixed | 19 1/4 | 17 1/4 | 24 1/2 | R600a | 1/8 | 1.74 | 97 lbs. |

Note: Interior dimensions are estimates and subject to change without notice