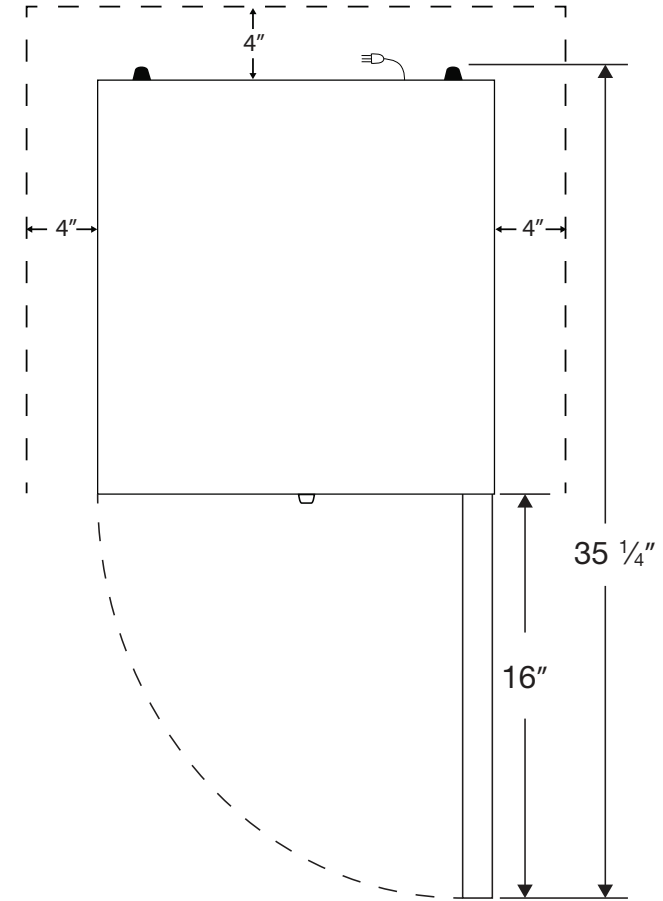
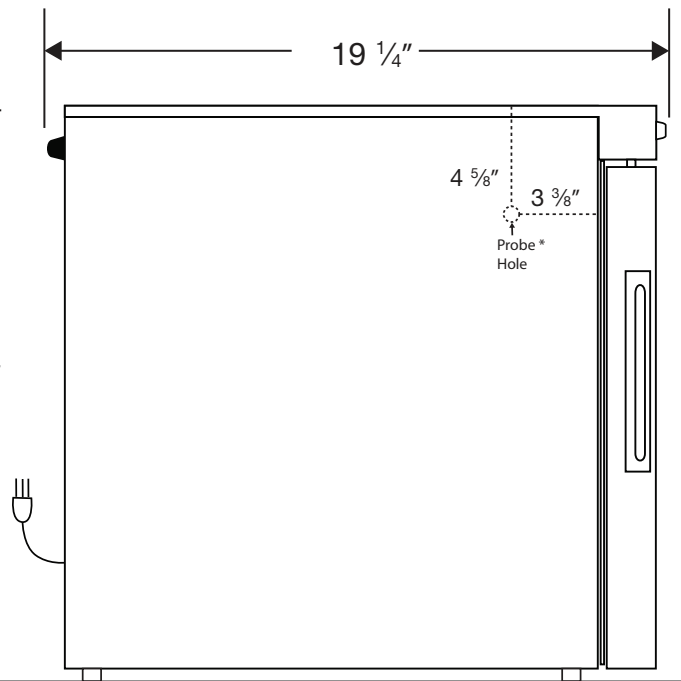
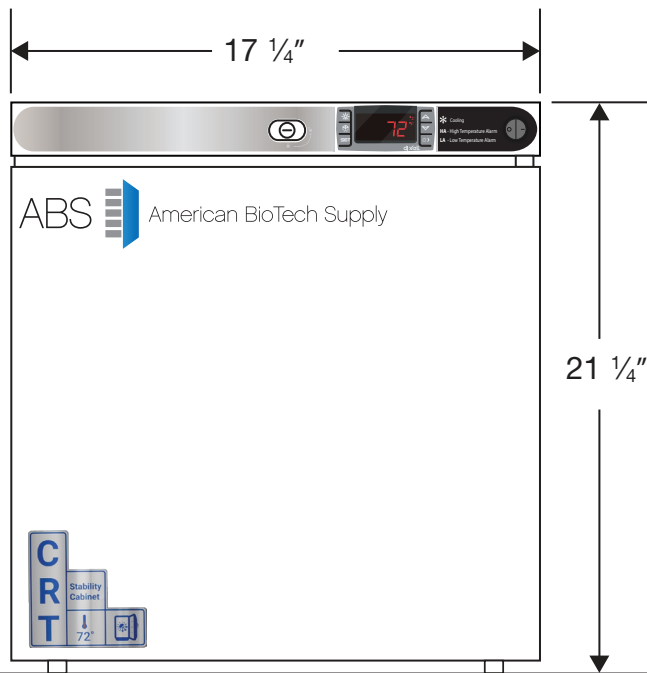


Exterior  
CRT-ABT-HC-UCFS-0104


Front View

Side View

Top View



**NOTE: Ventilation Requirements – Minimum 4" clearance on sides and back**

 115VAC/60Hz/1PH  
NEMA-5-15P

Cu. Ft	Defrost	Door	Int Door	Shelves	W"	D"	H"	Refrigerant	H.P.	Amps	Weight
1	Cycle	1 Solid	0	2 Adj	17 1/4	19 1/4	21 1/4	R600a	1/8	.90	63 lbs.