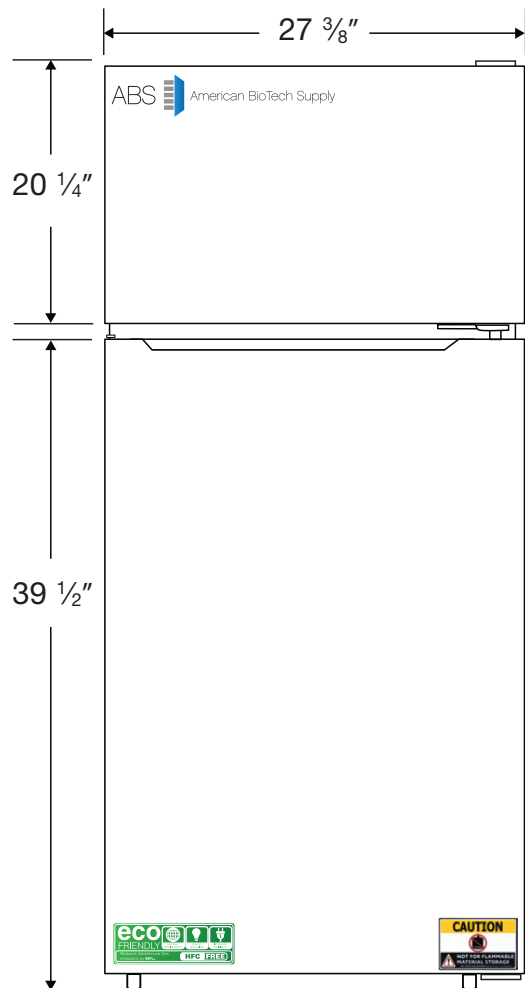
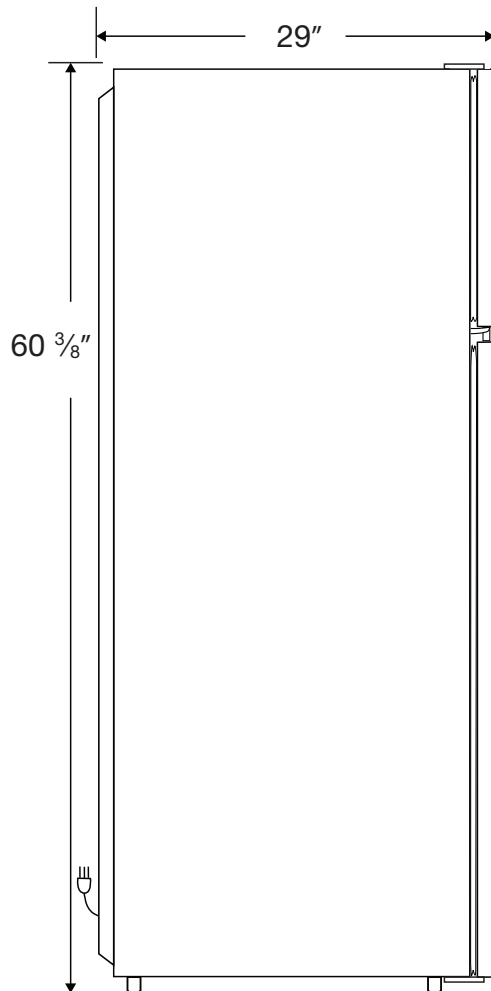


CUTSHEET

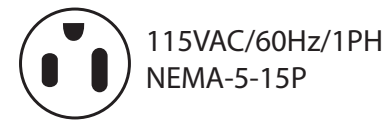
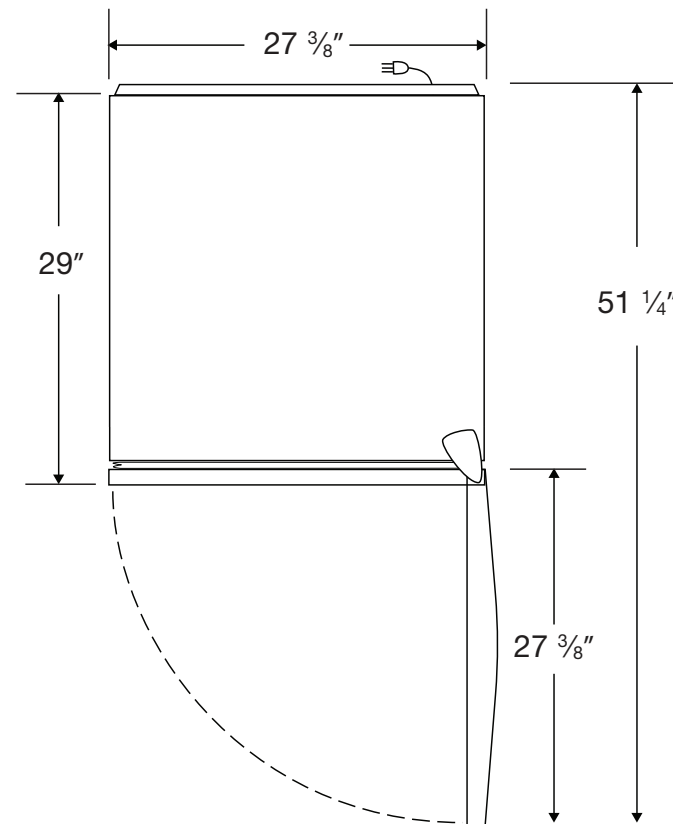
Front View



Side View



Top View



Compartment	Cu. Ft	Defrost	Door	Int Door	Shelves	W"	D"	H"	Refrigerant	H.P.	Amps	Weight
Freezer Refrigerator	4 10	Auto Auto	1 Solid 1 Solid	0 0	1 Adj. 1 Adj. /1 Fixed	27 3/8	29	60 3/8	R600a	1/10	1.1	130 lbs.