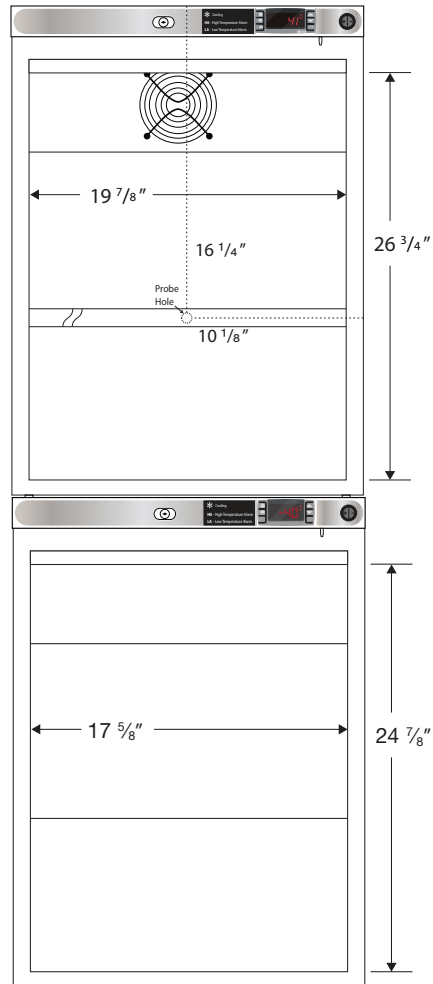
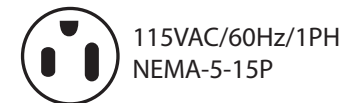
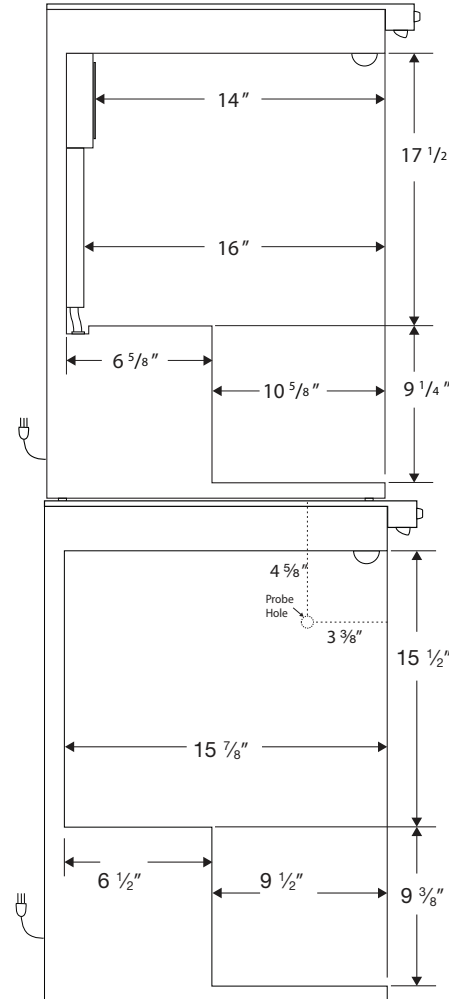


CUTSHEET

Front View



Side View



| Compartment  | Cu. Ft | Defrost | Door    | Int Door | Shelves | Interior Dim. |        |        | Refrigerant | H.P. | Amps | Weight   |
|--------------|--------|---------|---------|----------|---------|---------------|--------|--------|-------------|------|------|----------|
|              |        |         |         |          |         | W"            | D"     | H"     |             |      |      |          |
| Refrigerator | 5.2    | Cycle   | 1 Solid | 0        | 3 Adj   | 19 7/8        | 16     | 26 3/4 | R600a       | 1/6  | 1.3  | 188 lbs. |
| Freezer      | 4      | Manual  | 1 Solid | 0        | 3 Adj   | 17 5/8        | 15 7/8 | 24 7/8 | R290        | 1/4  | 2.2  |          |

Note: Interior dimensions are estimates and subject to change without notice