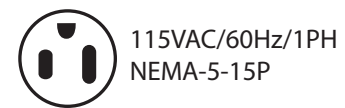
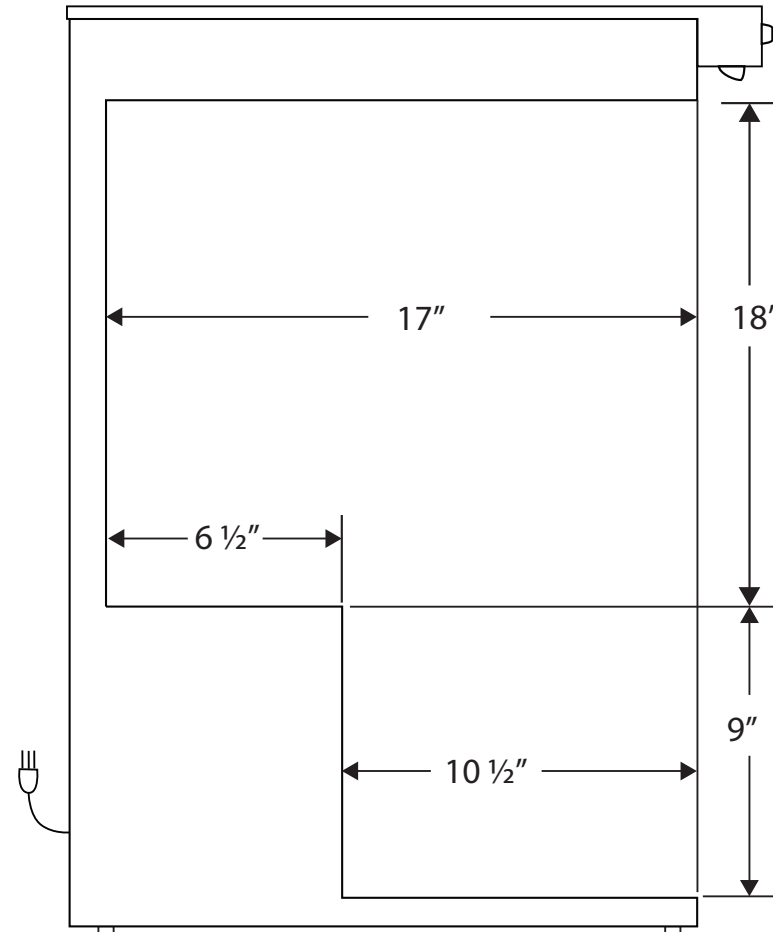
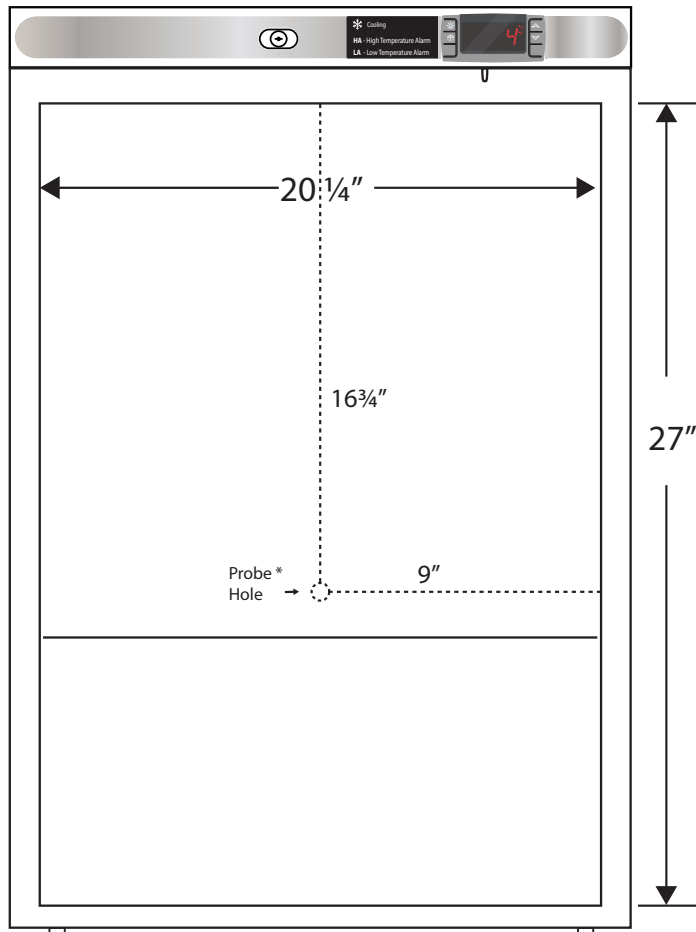


CUTSHEET

Front View

Side View



Cu. Ft	Defrost	Door	Int Door	Shelves	Interior Dim.			Refrigerant	H.P.	Amps	Weight
					W"	D"	H"				
5	Cycle	1 Solid	0	3 Adj	20 1/4	17	27	R600a	1/9	1.2	84 lbs.

Note: Interior dimensions are estimates and subject to change without notice